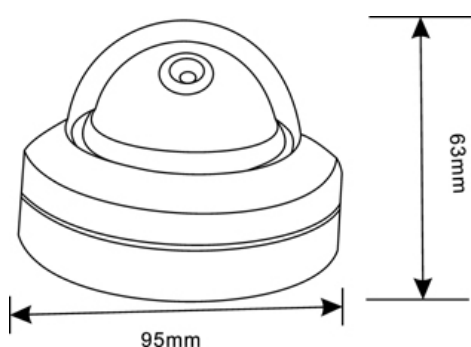


**OS-H7****Main Features:**

1. Aluminum, Vandalproof
2. Lens: 3.7mm
3. Size:  $\phi 95 \times 63$ mm

**Specifications**

Model	OS-20H7	OS-21H7	OS-24H7	OS-25H7	OS-27H7
Image sensor	1/4"SHARP CCD	1/3"SHARP CCD	1/3"COLOR SONY CCD		
Pixels	PAL: 537(H) $\times$ 597(V)			PAL: 752(H) $\times$ 582(V)	PAL: 795(H) $\times$ 596(V)
	NTSC:537(H) $\times$ 505(V)			NTSC:768(H) $\times$ 494(V)	NTSC:811(H) $\times$ 508(V)
Resolution	420TVL			480TVL	520TVL
Min. Illumination	1LUX			0.1LUX	0.5LUX
Shutter Control	PAL:1/50-1/100,000per second				
	NTSC:1/60-1/100,000per second				
Lens	Standard 3.7mm,(2.5/6/8/12/16mm for option)				
Video output	1.0Vp-p/75 $\Omega$ BNC, composite				
AGC	AUTO				
BLC	AUTO				
AWB	AUTO				
Scanning sys.	2:1Interlace				
Life time	20,000Hours				
S/N Ratio	>48dB				
Gamma Correct	0.45/1(Default=0.45)				
Sync. Mode	Internal				
Power Supply	DC12V				
Power consumption	<150mA(IR On)				
Size	$\phi 95 \times 63$ mm				

**External dimensions****H7**